

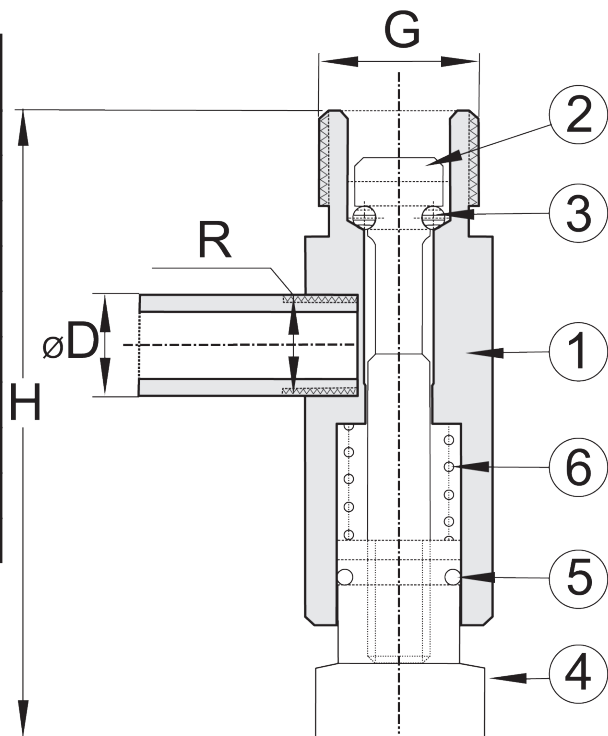


SELF CLOSING VALVE

357692

PN 16

No	Part	Material
1	Body	Stainless steel AISI 316L
2	Stem	Stainless steel AISI 316L
3	O-ring	Perbunan rubber
4	Push button	Stainless steel AISI 316L
5	O-ring	Perbunan rubber
6	Spring	Stainless steel AISI 316L
7		
8		



Variants:

Other dimensions/materials on request

DN	G	H	R	øD	Max working-pressure		Weight Kg
					Mpa 80 °C	Mpa °C	
15	1/2"	75	1/4"	13,5	1,6		0,2
20	3/4"	91	1/4"	20	1,6		0,4
25	1"	116	3/8"	22	1,6		0,6