

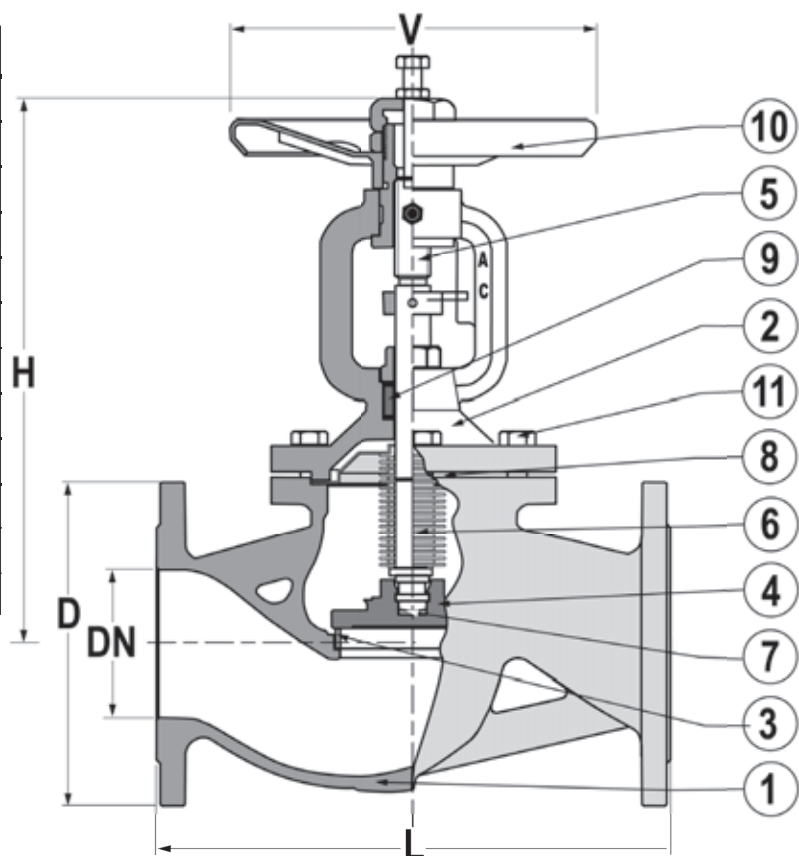


STOP VALVE with Bellow

467064-104

PN 40

No	Part	Material
1	Body	Cast Steel GSC25
2	Yoke	Cast Steel GSC25
3	Seat	Stainless steel 1,4370
4	Disc	Stainless steel 1,4021
5	Stem	Stainless steel 1,4021
6	Bellow	Stainless steel 1,4541
7	Antifriction disc	Stainless steel 1,4021
8	Gaskets	Graphite + St. steel
9	Packing	Graphite
10	Handwheel	Pressed Steel
11	Screws	Carbon Steel
12	Nuts	Carbon Steel



Variants:
Parabolic disc
Angle Type

DN	D	L	H	V	Kv m ³ /h	Weight Kg
15	95	130	230	125	4,8	4,8
20	105	150	233	125	7,6	5,4
25	115	160	240	125	12,2	6,8
32	140	180	248	125	17,5	9,3
40	150	200	277	150	27,8	12,9
50	165	230	287	150	44,3	15,6
65	185	290	373	200	81	27
80	200	310	377	200	115,4	31
100	235	350	419	250	184,1	45
125	270	400	458	300	272,5	70
150	300	480	516	350	382,7	99
200	375	600	633	400	690,6	188
250	450	730	785	500	1086	275

Temperature (C°)	Pressure (bar)
-10/50	40
150	34,7
200	30,2
250	28,4
300	25,8
350	24,0
400	23,1