

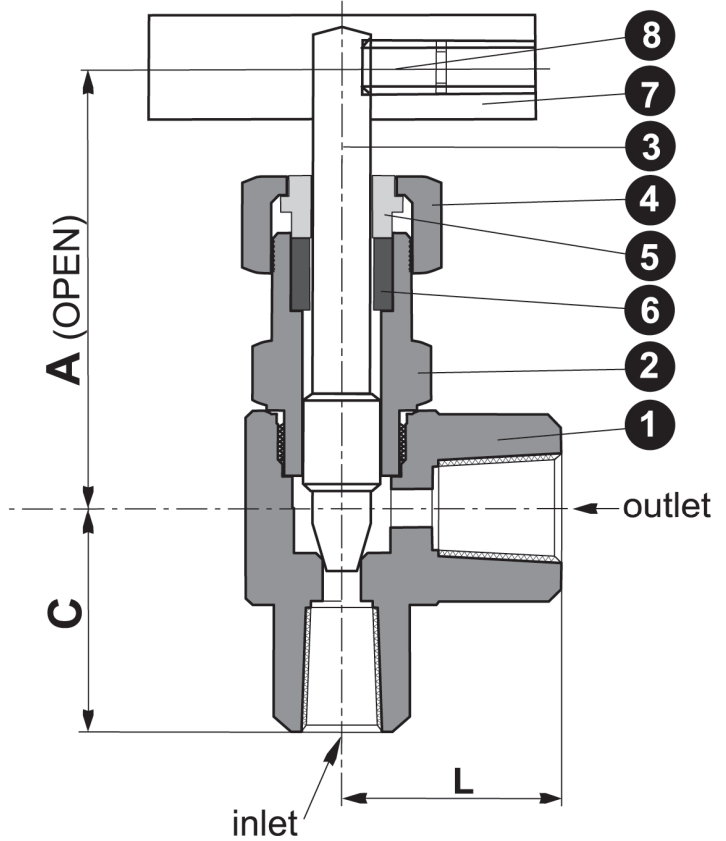


NEEDLE VALVE

460995

PN 400

No	Part	Material
1	Body	Stainless steel AISI 316
2	Bonnet	Stainless steel AISI 316
3	Stem	Stainless steel AISI 316
4	Gland nut	Stainless steel AISI 304
5	Gland	Stainless steel AISI 304
6	Gland packing	Teflon
7	Handle	Stainless steel AISI 410
8	Set screw	Stainless steel AISI 304



Variants:

Other dimensions/materials on request

DN	d1	d2	A	L	C	Max working-pressure		Weight Kg
						Mpa 20 °C	Mpa 300 °C	
8	1/4"	1/4"	75	29	29	40,0	20	0,4
10	3/8"	3/8"	75	29	29	40,0	20	0,4
15	1/2"	1/2"	87	34	34	40,0	20	0,6
20	3/4"	3/4"	90	38	34	40,0	20	0,7
25	1"	1"	103	45	45	40,0	20	1,2