

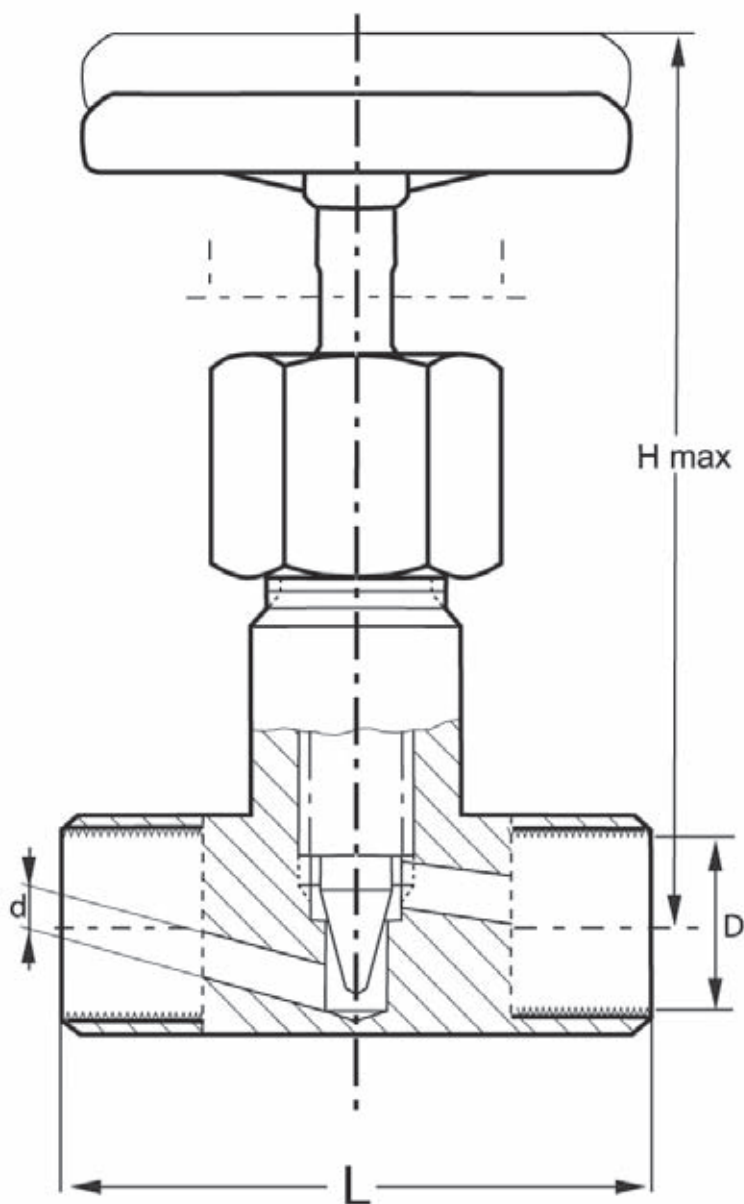


NEEDLE VALVE

460515

PN 100

| No | Part | Material |
|----|--------------|-----------------|
| 1 | Body | Brass CuZn39Pb3 |
| 2 | Stem | Brass CuZn39Pb3 |
| 3 | Glandpacking | Graphite |
| 4 | Gland | Brass CuZn39Pb3 |
| 5 | Gland nut | Brass CuZn39Pb3 |
| 6 | Handwheel | Pressed steel |



Variants:
 Locked gland nut
 Other dimensions/materials on request

| DN | D | d | L | Hmax | Max working-pressure | | Weight Kg |
|----|------|---|----|------|----------------------|------------|-----------|
| | | | | | Mpa 100 °C | Mpa 185 °C | |
| 8 | 1/4" | 4 | 48 | 70 | 10,0 | 8,5 | 0,30 |
| 10 | 3/8" | 5 | 54 | 75 | 10,0 | 8,5 | 0,30 |
| 15 | 1/2" | 5 | 56 | 75 | 10,0 | 8,5 | 0,33 |