

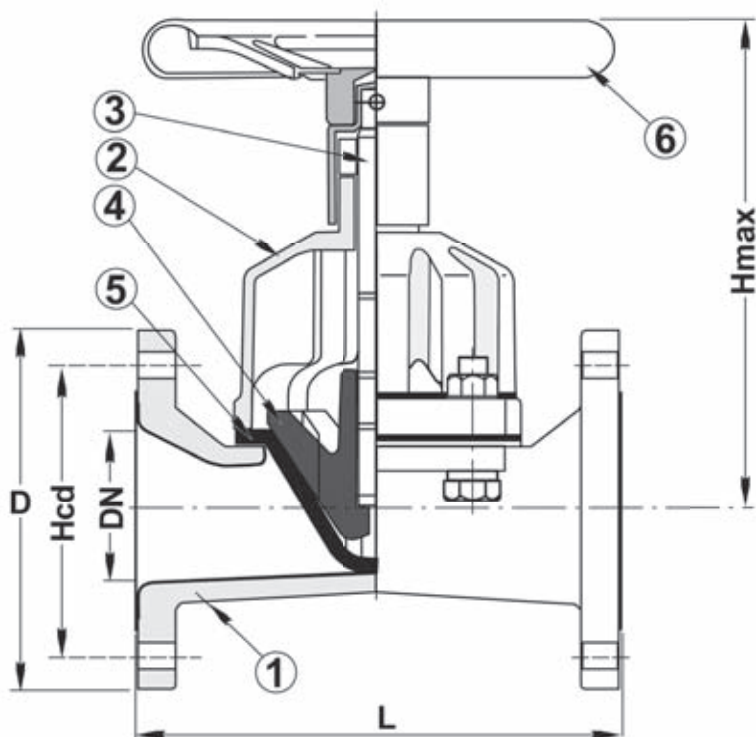


DIAPHRAGM VALVE

469752

PN 16

| No | Part | Material |
|----|-----------|----------------|
| 1 | Body | Cast iron GG25 |
| 2 | Bonnet | Cast iron GG25 |
| 3 | Stem | Cast iron GG25 |
| 4 | Disc | Cast iron GG25 |
| 5 | Diaphragm | NBR |
| 6 | Handwheel | Cast iron GG25 |



Variants:

- Diaphragm EPDM
- Diaphragm Natural-rubber
- Hard rubber lined
- Other dimensions/materials on request

| DN | D | n x Ød | Hcd | L | Hcd | Max working-pressure | | Weight Kg |
|-----|-----|--------|-----|-----|-----|----------------------|--------|-----------|
| | | | | | | Mpa 120 °C EPDM | Mpa °C | |
| 15 | 95 | 4x14 | 65 | 108 | 105 | 1,6 | | 2,8 |
| 20 | 105 | 4x14 | 75 | 117 | 115 | 1,6 | | 3,3 |
| 25 | 115 | 4x14 | 85 | 127 | 132 | 1,6 | | 4,6 |
| 32 | 140 | 4x18 | 100 | 146 | 140 | 1,6 | | 5,8 |
| 40 | 150 | 4x18 | 110 | 159 | 180 | 1,6 | | 8,0 |
| 50 | 165 | 4x18 | 125 | 190 | 210 | 1,6 | | 12,0 |
| 65 | 185 | 4x18 | 145 | 216 | 235 | 1,0 | | 17,0 |
| 80 | 200 | 8x18 | 160 | 254 | 305 | 1,0 | | 24,0 |
| 100 | 220 | 8x18 | 180 | 305 | 340 | 1,0 | | 34,0 |
| 125 | 250 | 8x18 | 210 | 356 | 420 | 1,0 | | 52,0 |
| 150 | 285 | 8x22 | 240 | 406 | 490 | 1,0 | | 70,0 |
| 200 | 340 | 8x22 | 295 | 521 | 645 | 0,8 | | 135,0 |