

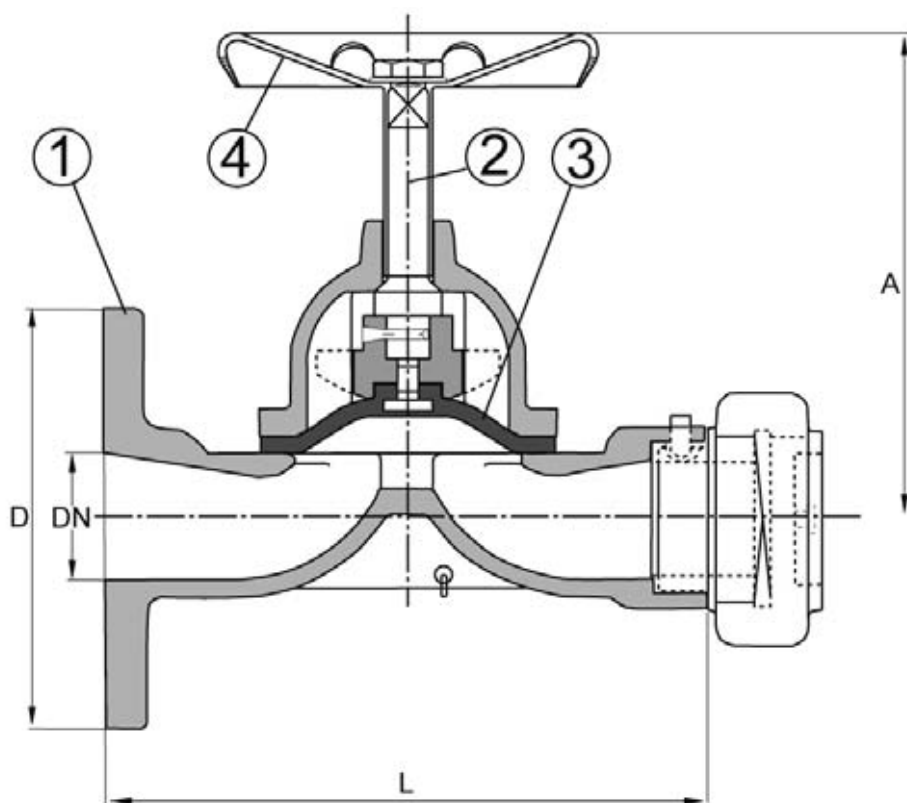


DIAPHRAGM VALVE

469422

PN 16

No	Part	Material
1	Body	Bronze Rg5
2	Stem	Brass
3	Diaphragm	Special rubber
4	Handwheel	Bronze Rg5



Variants:
 With coupling
 Body material *Bronze Rg10*
 Other dimensions/materials on request

DN	D	A	L	Max working-pressure		Weight Kg
				Mpa 120 °C	Mpa °C	
50	165	190	230	1,6		10
65	185	215	290	1,6		14