

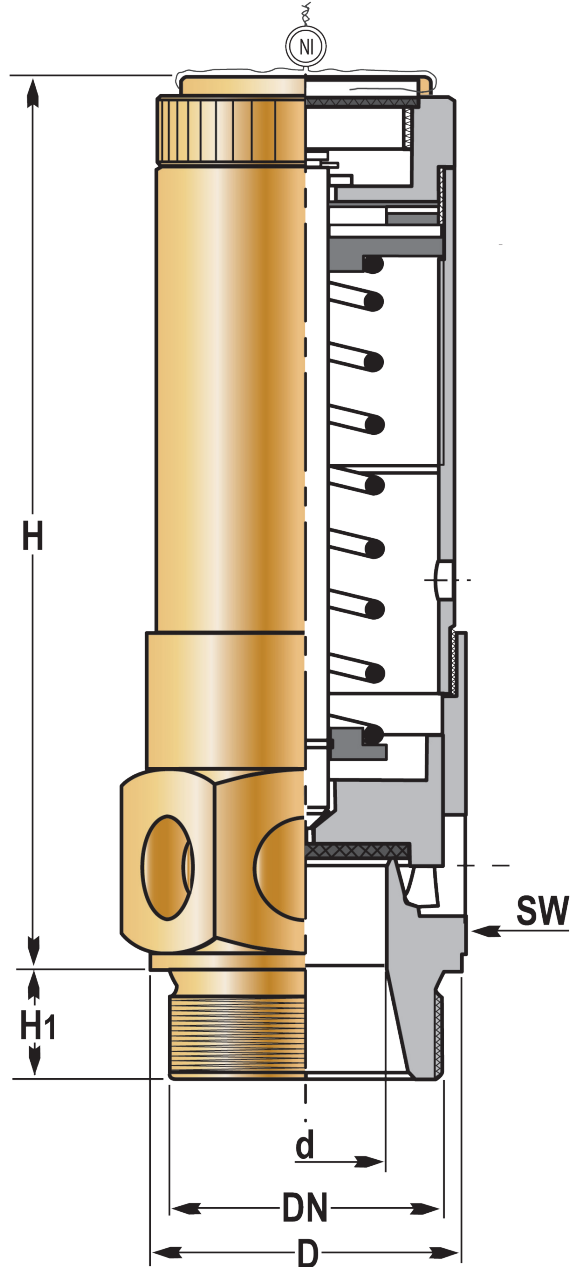


Standard Safety Valve Springloaded

474013

PN 40

No	Part	Material
1	Body	Brass



Other dimensions/materials on request

DN	G	D	H	H1	d	Max working pressure		Weight Kg
						Mpa	130°C	
8	¼	18	75	12	7/10	3,5		0,12
10	⅜	22	75	12	10	3,5		0,12
15	½	26	90	14	12,5	3,5		0,21