

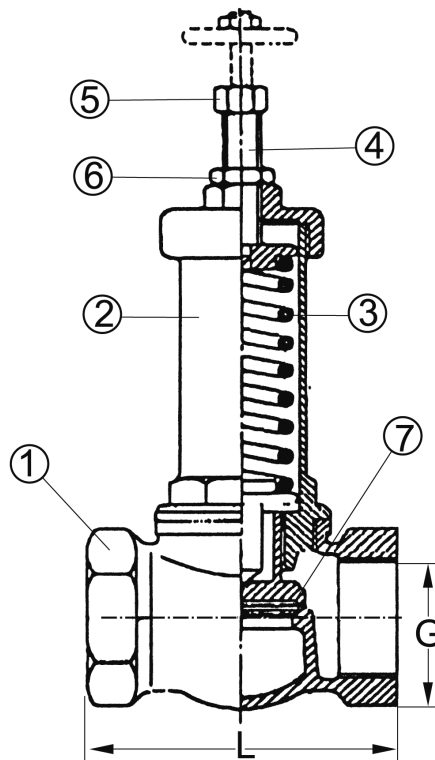


SAFETY VALVE

473795

PN 16

No	Part	Material
1	Body	Bronze Rg5
2	Bonnet	Bronze Rg5
3	Spring	Stainless steel SS316
4	Stem	Special brass
5	Nut	Special brass
6	Locking nut	Special brass
7	Disc	Bronze Rg5



Variants:
Flanged end

Other dimensions/materials on request

DN	G				L	Max working-pressure		Weight Kg
						Mpa		
15	1/2"				62	1,3		0,7
20	3/4"				70	1,3		0,9
25	1"				84	1,3		1,3
32	1 1/4"				105	1,3		2,2
40	1 1/2"				120	1,3		3,1
50	2"				145	1,3		4,2
65	2 1/2"				200	1,3		9,4