

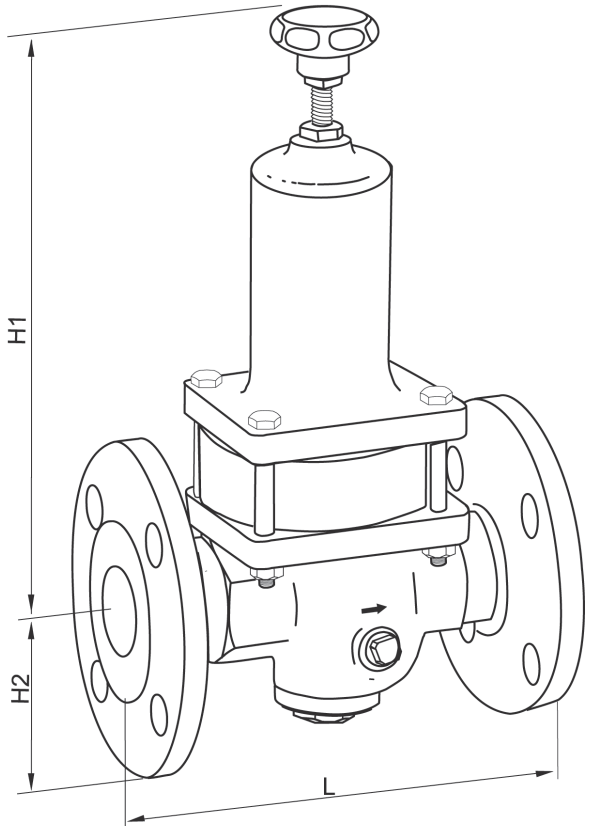


Pressure-reducing VALVE

471223

PN 40/30

No	Part	Material
1	Body	Bronze RG5
2	Seal	NBR
3		



Pressure reduction for compressed air, nitrogen, and other non combustible gases, water and other neutral non-viscous fluids.

Not suitable for steam!

DN	H1	H2	L				Max Inlet pressure	Weight Kg
15	188	47,5	130				40 bar	3,4
20	190	52,5	150				40 bar	4,4
25	205	57,5	160				40 bar	5,9
32	337	70	180				40 bar	11,2
40	335	75	200				40 bar	12,1
50	363	82,3	230				40 bar	17,0