

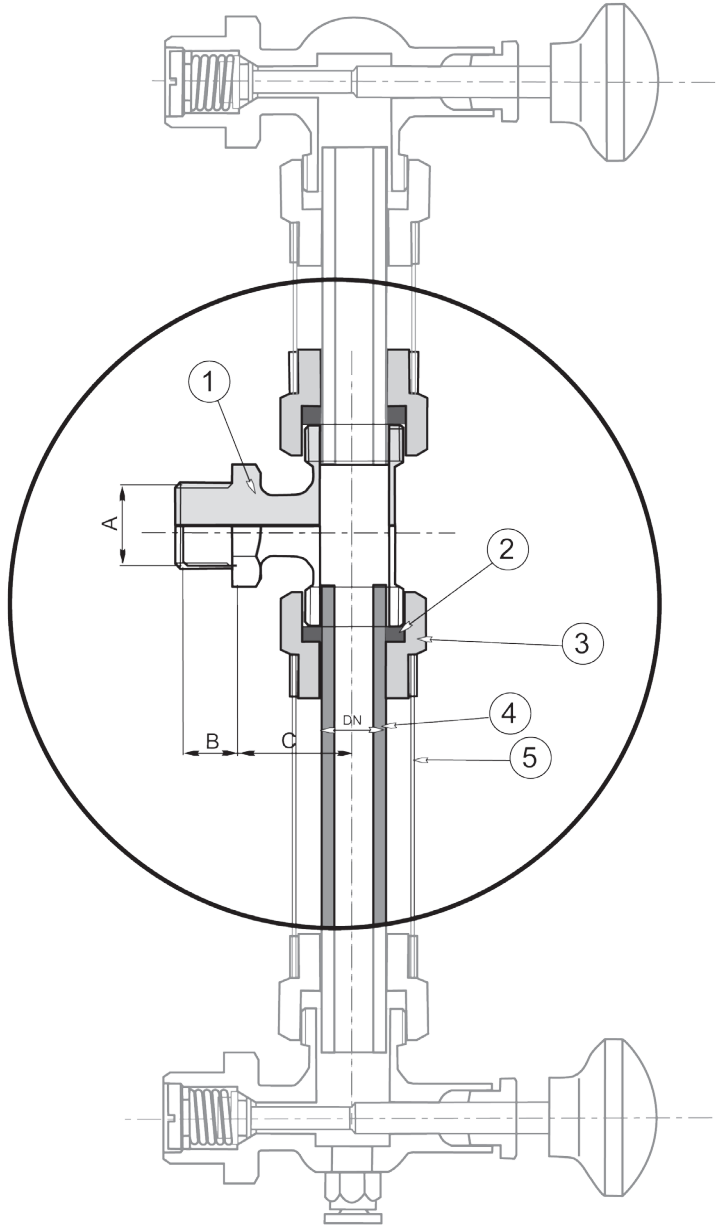


LIQUID LEVEL GAUGE ELONGATION

484422-2

PN 16

No	Part	Material
1	Body	Gun metal
2	Gasket	Viton
3	Gland nut	Special brass
4	Sight glass	Borosilcate glass
5	Protecting pipe	Brass



Variants:

Other dimensions/materials on request

DN	A	B	O				Max working-pres- sure		Weight Kg
							Mpa	100C°	
15	G 1/2	14	30						0,2