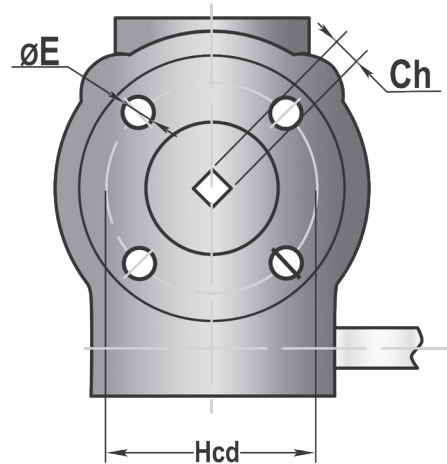
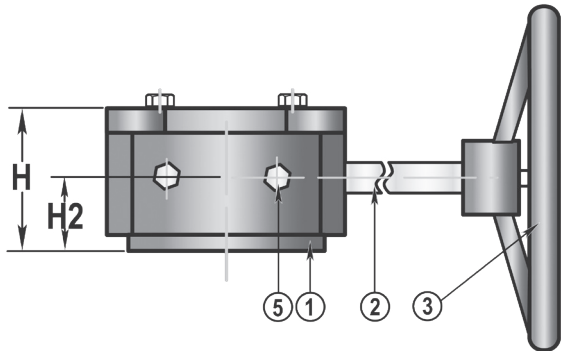
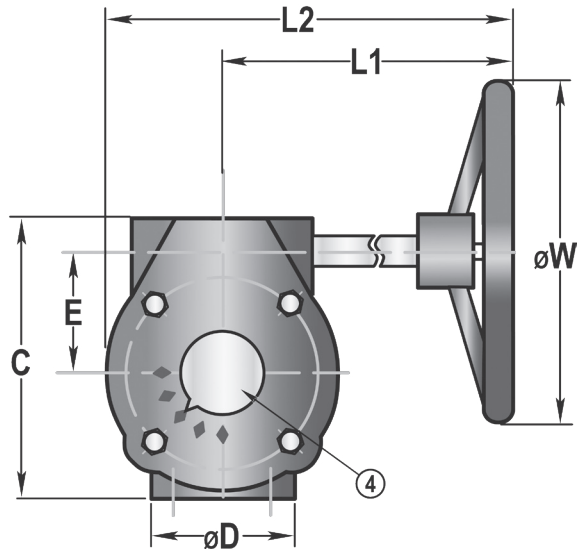




# GEAR BOX

**7V0000**

No	Part	Material
1	Body	Cast iron
2	Shaft	Stainless steel
3	Handwheel	Cast iron
4	Indicator	Steel
5	Adjust stopper	Mild steel



**Variants:**

Other dimensions/materials on request

DN	L1	L2	H	H2	Hcd	Ch	W	C	D	E	Weight kg
40	206	154	65	38	70	9x9	152	126	105	45	3,0
50	206	154	65	38	70	9x9	152	126	105	45	3,0
65	206	154	65	38	70	11x11	152	126	105	45	3,0
80	206	154	65	38	70	14x14	152	126	105	45	3,0
100	206	154	65	38	70	14x14	152	126	105	45	11,0
125	310	233	77	39	70	14x14	300	177	154	63	11,0
150	310	233	77	39	70	17x17	300	177	154	63	11,0
200	310	233	77	39	70	17x17	300	177	154	63	11,0
250	308	226	77	39	102	22x22	300	200	164	77,5	12,0
300	308	226	77	39	102	22x22	300	200	164	77,5	12,0
350	308	226	77	39	140	27x27	300	200	164	77,5	12,0
400	430	300	103	52,5	140	27x27	300	290	260	120	20,0
450	430	300	103	52,5	165	36x36	300	290	260	120	20,0
500	480	350	147	74,5	165	36x36	300/400	313	276	120	20,0
600	480	350	147	74,5	165	46x46	300/400	313	276	120	20,0