



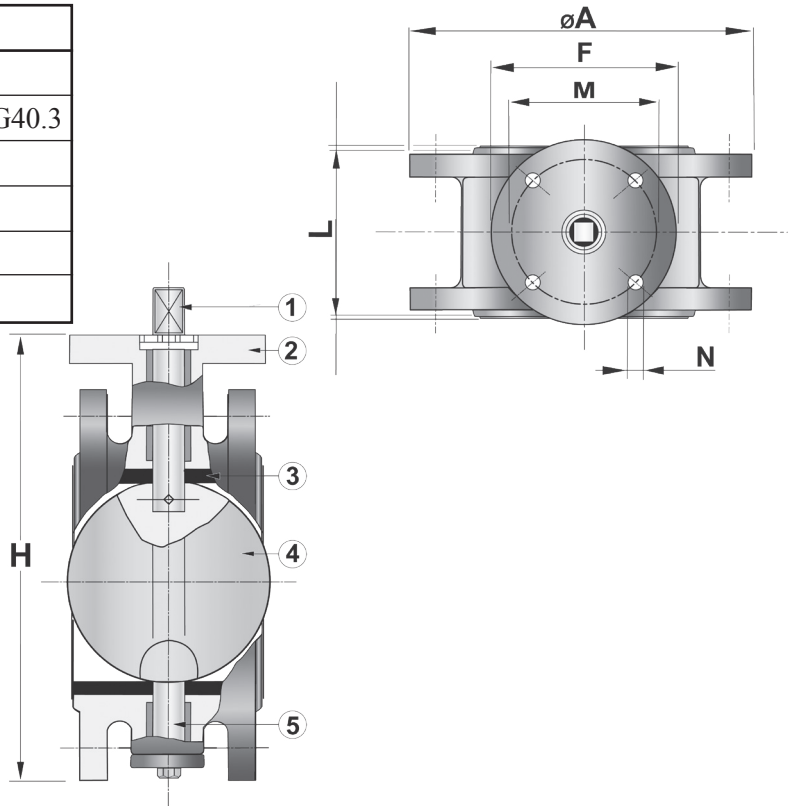
BUTTERFLY VALVE

Double-flanged

780702
781702

PN 16
PN 10

No	Part	Material
1	Shaft	Stainless steel SS316
2	Body	Nodular Cast iron GGG40.3
3	Seal (780702)	Nitril (NBR)
	Seal (781702)	EPDM
4	Disc	Aluminium bronze
5	Shaft	Stainless steel SS316



Variants:
 With handlever
 Various actuators and gearboxes
 Viton- and Teflon-seal
 DN 200-600 available to fit PN16
 Other dimensions/materials on request

DN	A	L	F	M	N	H	Max working pressure Mpa		Weight Kg
							NBR 80 °C	EPDM 110 ° C	
50	165	108	90	70	9	213	1,6	1,6	8,0
65	185	112	90	70	9	235	1,6	1,6	10,5
80	200	114	90	70	9	247	1,6	1,6	11,0
100	220	127	90	70	9	252	1,6	1,6	13,0
125	250	140	90	70	9	298	1,6	1,6	28,0
150	285	140	90	70	9	318	1,6	1,6	30,0
780701/781701 PN10									
200	340	152	90	70	11	409	1,0	1,0	41,0
250	395	165	125	102	11	466	1,0	1,0	74,0
300	445	178	125	102	11	516	1,0	1,0	86,0
350	505	190	175	140	17,5	582	1,0	1,0	106,0
400	565	216	175	140	17,5	632	1,0	1,0	120,0
450	615	222	175	165	17,5	705	1,0	1,0	150,0
500	670	229	175	165	22	760	1,0	1,0	220,0
600	780	267	200	254	22	893	1,0	1,0	308,0