

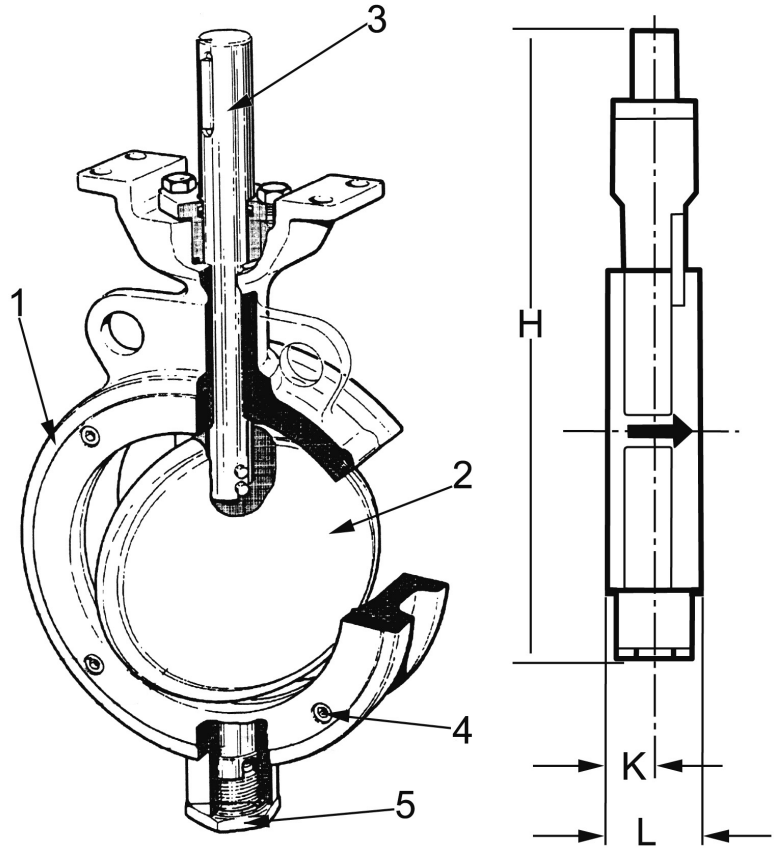


BUTTERFLY VALVE

762994

PN 10-40

No	Part	Material
1	Body	ASTM A351 CF8M
2	Disc	Stainless steel SS2324
3	Stem	Stainless steel SS2324
		Hard chromium plated
4	Screw	Stainless steel
5	Retaining screw	Stainless steel SS2324



Variants:

- Metal seat
- PTFE seat
- Viton or EPDM seat
- Lugg Type
- Other dimensions/materials on request

DN	K	L		H	Max working pressure Mpa		Weight Kg
80	23	46	45	305	25 bar		5,0
100	26	52	45	348	25 bar		7,0
125	28	56	45	369	25 bar		7,0
150	28	56	45	396	25 bar		11,0
200	29	60	45	474	25 bar		20,0
250	31	68	65	548	25 bar		29,0
300	34	78	65	634	25 bar		44,0
350	33	78	65	698	25 bar		63,0
400	43	102	82	783	25 bar		94,0
500	55	127	120	952	25 bar		140,0