



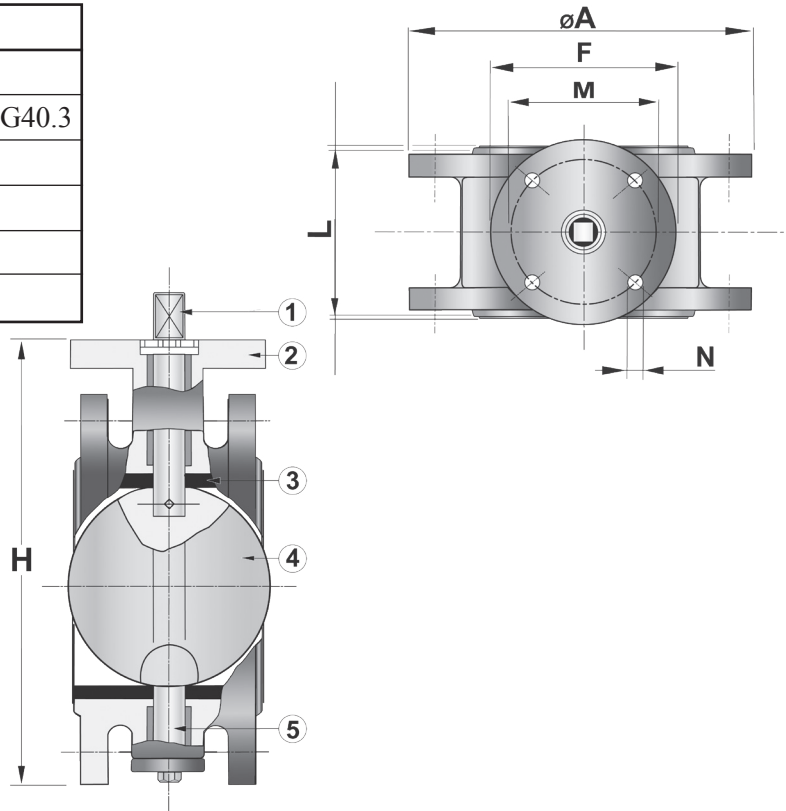
BUTTERFLY VALVE

Double-flanged F4

740702
741702

PN 16
PN 10

| No | Part | Material |
|----|---------------|---------------------------|
| 1 | Shaft | Stainless steel SS316 |
| 2 | Body | Nodular Cast iron GGG40.3 |
| 3 | Seal (740702) | Nitril (NBR) |
| | Seal (741702) | EPDM |
| 4 | Disc | Aluminium bronze |
| 5 | Shaft | Stainless steel SS316 |



Variants:
 With handlever
 Various actuators and gearboxes
 Viton seal
 DN 200-600 available to fit PN16
 Other dimensions/materials on request

| DN | A | L | F | M | N | H | Max working pressure Mpa | | Weight Kg |
|---------------------------|-----|-----|-----|-----|----|-----|--------------------------|--------------|-----------|
| | | | | | | | NBR 80 °C | EPDM 110 ° C | |
| 65 | 185 | 170 | 90 | 66 | 9 | 216 | 1,6 | 1,6 | 15,0 |
| 80 | 200 | 180 | 110 | 66 | 9 | 232 | 1,6 | 1,6 | 18,0 |
| 100 | 220 | 190 | 110 | 66 | 9 | 252 | 1,6 | 1,6 | 20,0 |
| 125 | 250 | 200 | 110 | 80 | 11 | 298 | 1,6 | 1,6 | 28,0 |
| 150 | 285 | 210 | 110 | 80 | 11 | 318 | 1,6 | 1,6 | 30,0 |
| 740701/741701 PN10 | | | | | | | | | |
| 200 | 340 | 230 | 130 | 80 | 11 | 409 | 1,0 | 1,0 | 41,0 |
| 250 | 395 | 250 | 175 | 135 | 14 | 466 | 1,0 | 1,0 | 74,0 |
| 300 | 445 | 270 | 175 | 135 | 14 | 516 | 1,0 | 1,0 | 86,0 |
| 350 | 505 | 290 | 175 | 135 | 14 | 582 | 1,0 | 1,0 | 106,0 |
| 400 | 565 | 310 | 175 | 135 | 14 | 632 | 1,0 | 1,0 | 120,0 |
| 450 | 615 | 330 | 175 | 135 | 14 | 705 | 1,0 | 1,0 | 150,0 |
| 500 | 670 | 350 | 175 | 135 | 14 | 760 | 1,0 | 1,0 | 220,0 |
| 600 | 780 | 390 | 200 | 160 | 18 | 893 | 1,0 | 1,0 | 308,0 |
| 700 | 895 | 430 | 200 | 160 | 18 | 997 | 1,0 | 1,0 | 380,0 |