

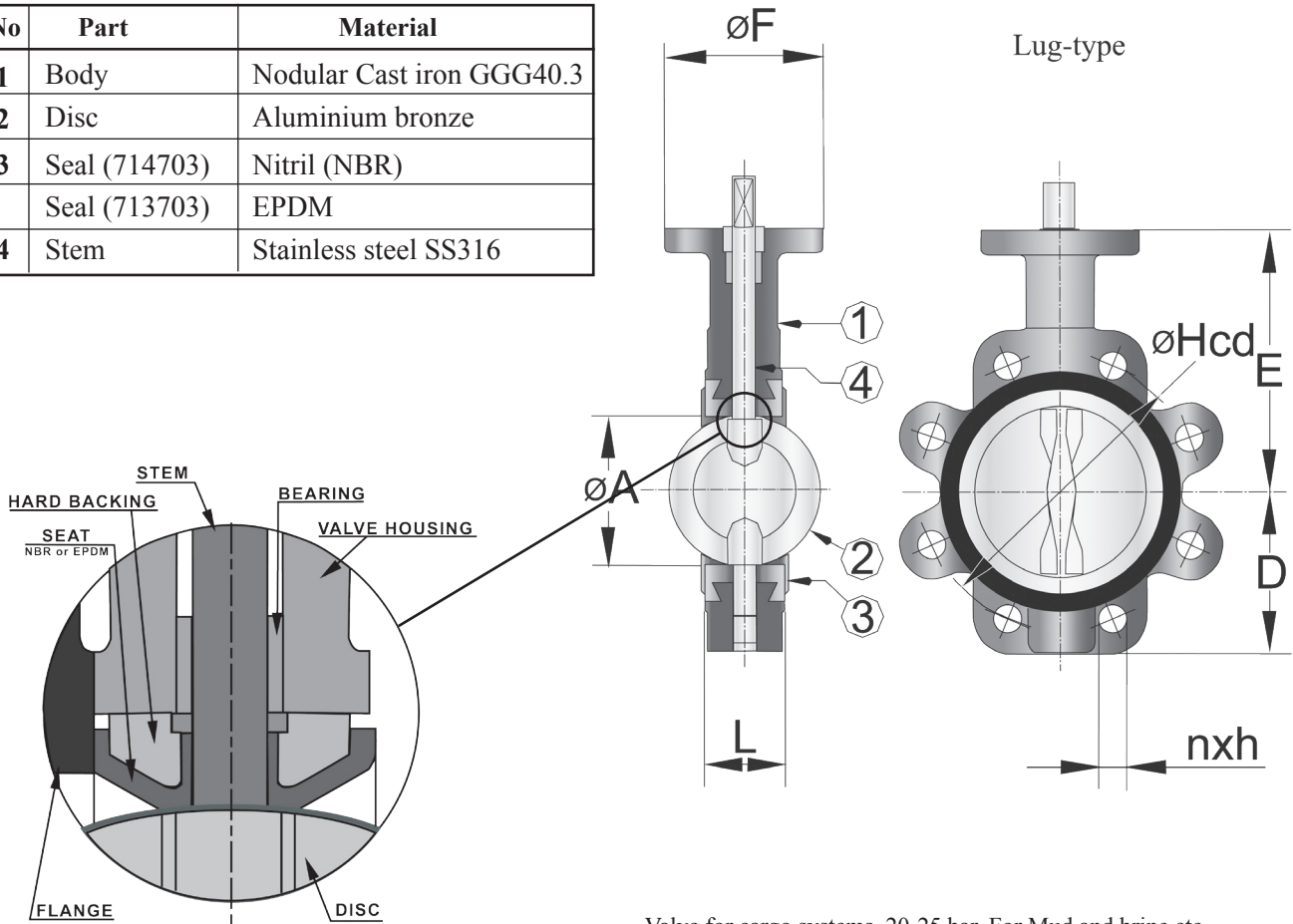


BACK SEATED BUTTERFLY VALVE

714703
713703

PN 25

No	Part	Material
1	Body	Nodular Cast iron GGG40.3
2	Disc	Aluminium bronze
3	Seal (714703)	Nitril (NBR)
	Seal (713703)	EPDM
4	Stem	Stainless steel SS316



Valve for cargo systems, 20-25 bar. For Mud and brine etc.

Variants:
 With handlever
 Various actuators and gearboxes
 Other dimensions/materials on request

DN	F	nxØd	Hcd	L	D	E	Max working pressure Mpa		Weight Kg
							NBR 80 °C	EPDM 110 °C	
50	90	4 x M16	125	42	83	130	2,5	2,5	4,2
65	90	8 x M16	145	45	95	140	2,5	2,5	5,7
80	90	8 x M16	160	45	102	145	2,5	2,5	8,7
100	90	8 x M20	190	52	124	160	2,5	2,5	9,2
125	90	8 x M24	220	54	137	170	2,5	2,5	12,7
150	90	8 x M24	250	55	149	190	2,5	2,5	13,7
200	90	12 x M24	310	60,5	181	220	2,5	2,5	22,0
250	125	12 x M27	370	65	210	260	2,5	2,5	28,0
300	125	16 x M27	430	76	248	290	2,5	2,5	47,0