

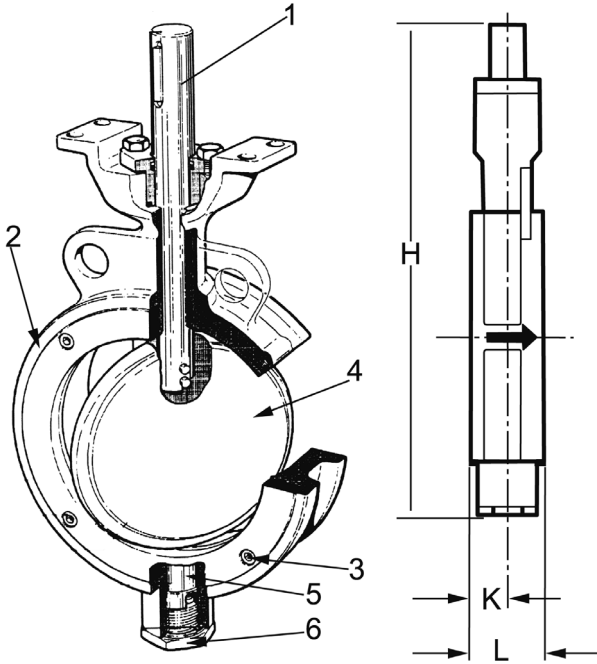


BUTTERFLY VALVE

762997

ANSI 150

No	Part	Material
1	Shaft	Stainless steel SS2324
		Hard chromium plated
2	Body	ASTM A351 CF8M
3	Screw	Stainless steel
4	Disc	Stainless steel SS2324
5	Shaft	Stainless steel SS2324
6	Retaining screw	Stainless steel SS2324
7		
8		
9		



Variants:
 Various actuators and gearboxes
 Metal-seal, Viton-seal and Teflon-seal

Other dimensions/materials on request

DN	L	L	H	Max working-pressure, Mpa		Weight Kg
80	23	46	305	25 bar		5,0
100	26	52	348	25 bar		7,0
125	28	56	369	25 bar		9,0
150	28	56	369	25 bar		11,0
200	29	60	474	25 bar		20,0
250	31	68	548	25 bar		29,0
300	34	78	634	25 bar		44,0
350	33	78	698	25 bar		63,0
400	43	102	783	25 bar		94,0
500	55	127	952	25 bar		140,0