

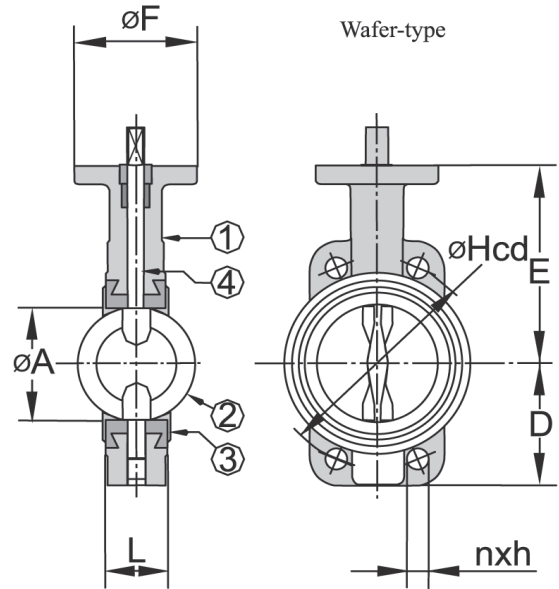


BUTTERFLY VALVE

700707
701707

ANSI 150

No	Part	Material
1	Body	Nodular Cast iron GGG40.3
2	Disc	Aluminium bronze
3	Seal (700707)	Nitril (NBR)
	Seal (701707)	EPDM
4	Stem	Stainless steel SS316
5		
6		
7		
8		
9		



Variants:

- Free shaft
- With handlever
- Various actuators and gearboxes
- Viton- and Teflon-seal
- Other dimensions/materials on request

DN	F	n x h	C	L	D	E	Max working-pressure, Mpa		Weight Kg
							NBR 80 °C	EPDM 110 °C	
40	90	4 x 18	98,4	40	59	110	1,96	1,96	2,7
50	90	4 x 18	121	43	64	120	1,96	1,96	2,9
65	90	4 x 18	140	46	71	125	1,96	1,96	4,1
80	90	4 x 18	152	46	94	135	1,96	1,96	4,4
100	90	4 x 18	191	52	103	155	1,96	1,96	5,6
125	90	4 x 18	216	56	117	155	1,96	1,96	7,1
150	90	4 x 22	241	56	137	175	1,96	1,96	8,4
200	90	4 x 22	298	60	168	215	1,96	1,96	20,0
250	125	4 x 23	362	68	203	230	1,96	1,96	29,0