

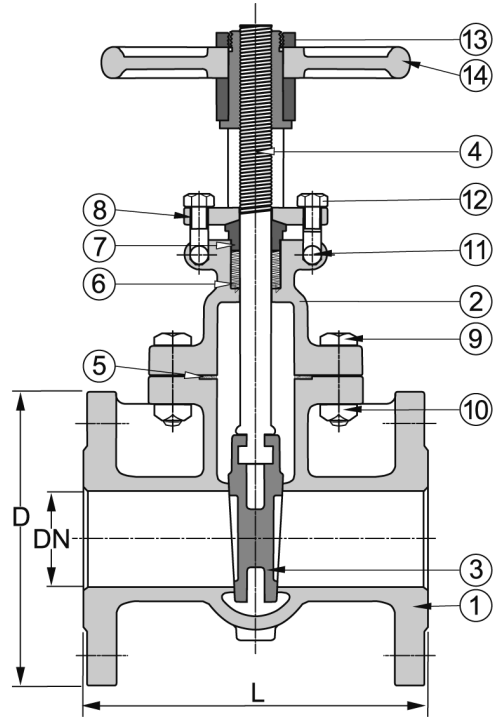


GATE VALVE

620797

ANSI 150

No	Part	Material
1	Body	ASTM A351 - CF8M
2	Bonnet	AISI 316
3	Disc	ASTM A351 - CF8M
4	Stem	ASTM A276 - 316
5	Gasket	PTFE
6	Packing	PTFE
7	Gland packing	AISI 316
8	Gland flange	ASTM A351 - CF8M
9	Bolt	ASTM A193-B8
10	Nut	ASTM A194-8
11	Stud	ASTM A193-B8
12	Nut	ASTM A194-8
13	Nut	AISI 304
14	Handwheel	ASTM A536
15		



Variants:

Other dimensions/materials on request

DN	D	n	Hcd	d	L	Max working-pressure, Mpa		Weight Kg
						-29 to 38 °C	300 °C	
40	127	4	98,4	15	165	1,96	1,58	
50	152	4	121	19	178	1,96	1,58	
65	178	4	140	19	191	1,96	1,58	
80	191	4	152	19	203	1,96	1,58	
100	229	8	191	19	229	1,96	1,58	
125	254	8	216	22	254	1,96	1,58	
150	279	8	241	22	267	1,96	1,58	
200	343	8	298	22	292	1,96	1,58	
250	406	12	362	25	330	1,96	1,58	
300	483	12	432	25	356	1,96	1,58	
350	533	12	432	29	381	1,96	1,58	